



∞
201
202

PRODUCT CATALOG



Total Damage Prevention™
for the Material Handling Industry

McCue

Total Damage Prevention™

How often has this happened to you? Your steel bollard, rail or angle iron has halted a wayward truck but now it's broken—and so is your concrete floor, your truck, your driver and your goods.

It really doesn't have to be this way.

At McCue we look at every asset from every angle and engineer solutions to protect it. We call our approach 'Total Damage Prevention'.

Whether we're specifying a single product or an end-to-end protection strategy for your premises, we leave nothing to chance. Using innovative designs and material combinations, we deflect, disperse and absorb impacts – turning accidents into incidents.

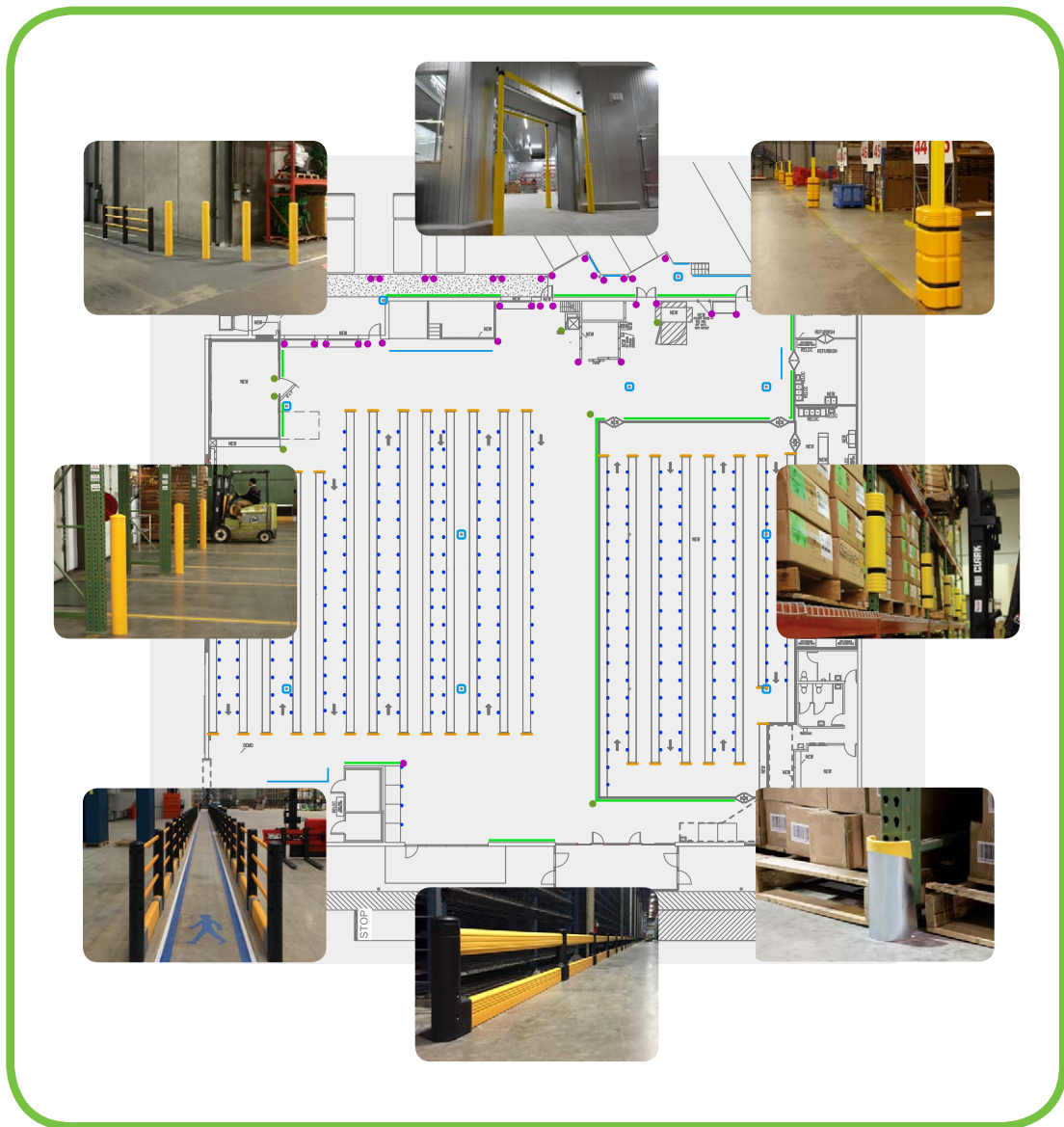
Our products look good, require no painting, are quick and easy to install, and offer proven strength. They include: Bollard Systems, Column Protection, Rack Protection & Barrier Systems.

Greater Safety Through Better Protection

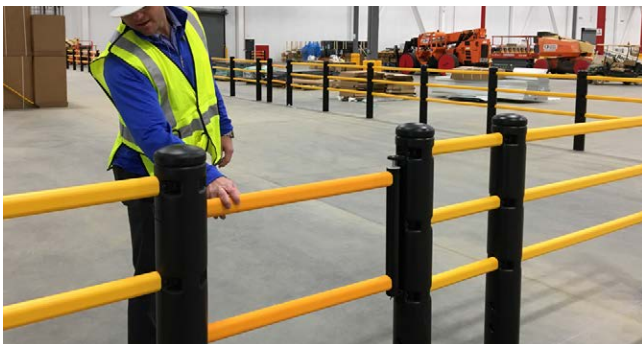
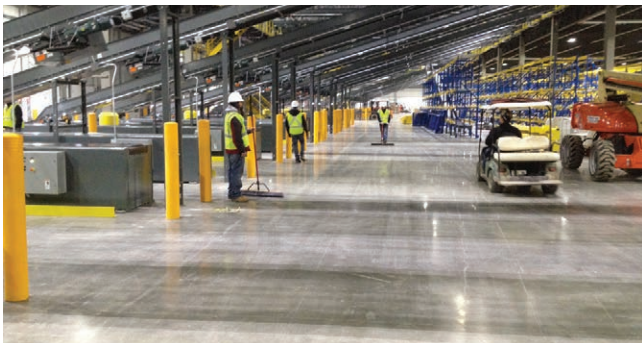
A full range of engineered solutions that protect your people as well as your property and equipment. Self-protecting products with shock displacement and deflection designed to convert **accidents** into **incidents**.

McCue Blueprint

A solution for every corner of your facility: Let us work with you to develop a comprehensive damage prevention blueprint.



Preventing Damage Everywhere



Contents

Bollard Systems

FlexCore® Bollard	6
Deflector Post	8
Goal Post	10
Post & Bollard Cover	12

Pedestrian Protection

Pedestrian Barrier System	14
Pedestrian Barrier System with Crash Barrier	16

Crash Barriers

FlexCore GuardRail	18
Systems Protector	20
Crash Barrier System	22

Racking Protection

Rack End Protector	24
Rack Mounted Guard	26
Shock-Absorbing Rack Guard	28

Column Protection

Column Guard	30
--------------------	----

Signs

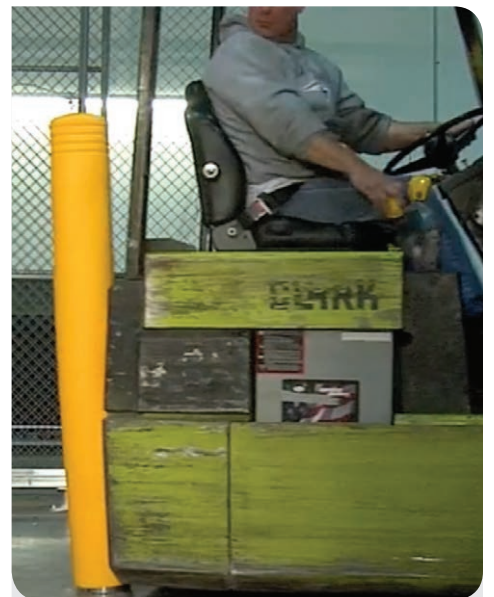
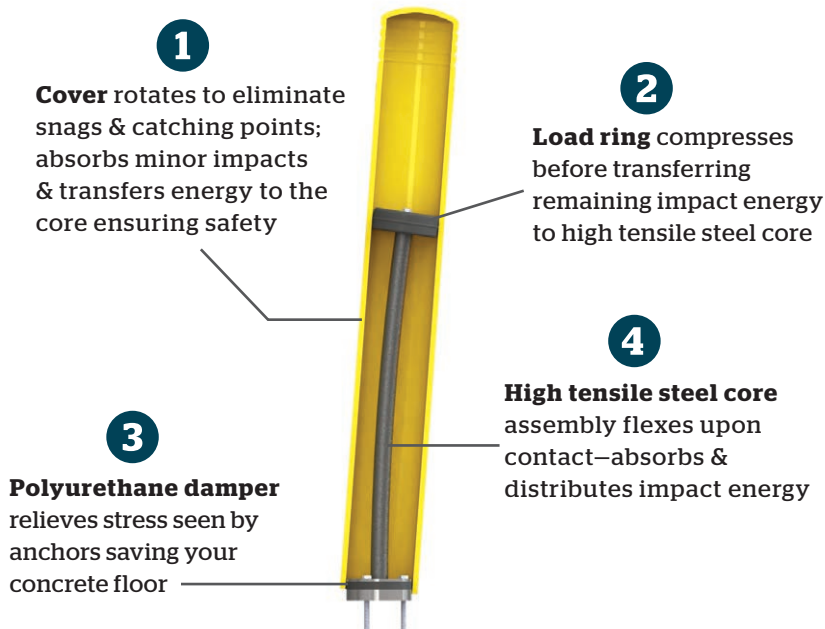
BumperSign	32
------------------	----

FlexCore® Bollard

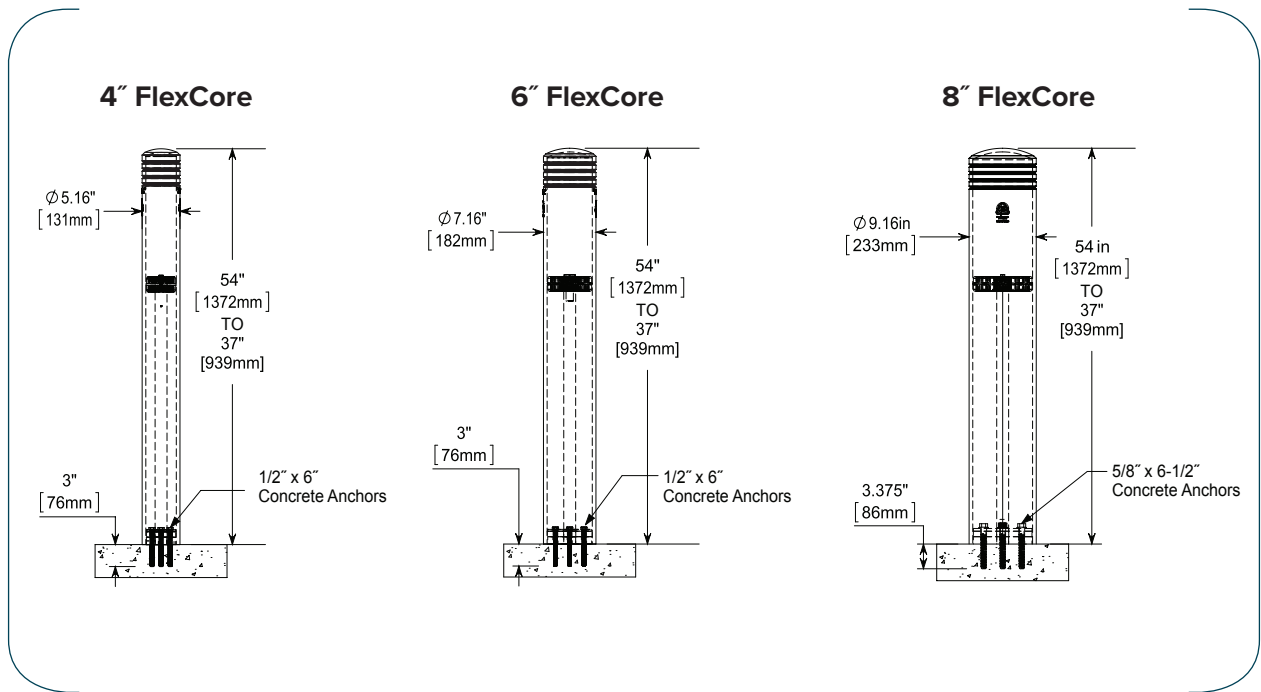
Surface-Mounted, Shock-Absorbing Bollard



4 layers of impact energy absorption for superior performance



Shock-absorbing design—no dents, no need to repaint.



4" FlexCore Bollard

CSFCB-4-COLOR

Materials: 4" diameter HDPE shell (yellow or black), steel core, anchor kit

8" FlexCore Bollard

CSFCB-8-COLOR

Materials: 8" diameter HDPE shell (yellow or black), steel core, anchor kit

6" FlexCore Bollard

CSFCB-6-COLOR

Materials: 6" diameter HDPE shell (yellow or black), steel core, anchor kit

Deflector Post

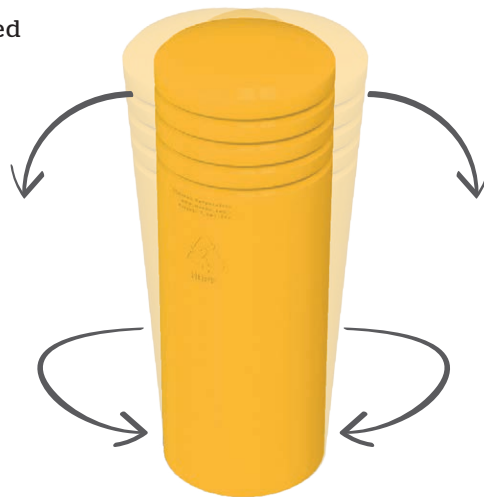
Floor-Mounted, Impact Deflecting Post



Rotating design deflects damage in high traffic environments

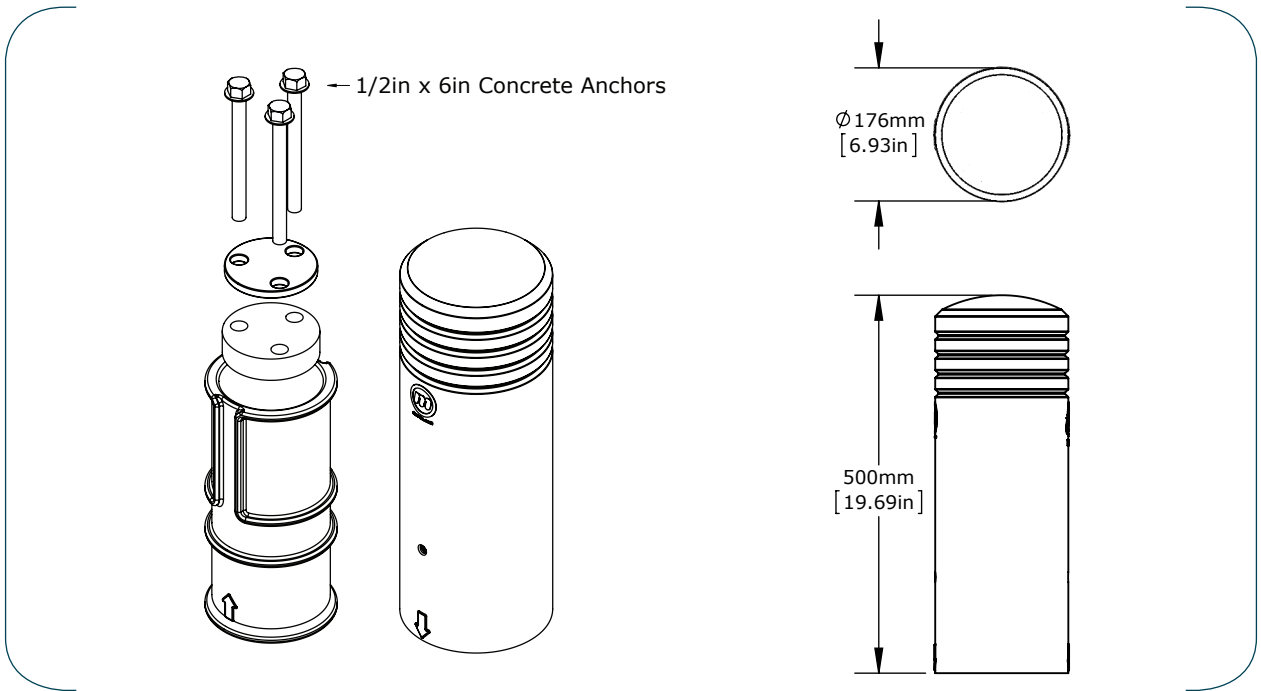
Rotating HDPE shell with nylon bearings spins & rolls when impacted

Ductile Iron & rubber core absorbs direct impacts, preventing damage to your floor and equipment



Domed shell provides a sanitary top eliminating dust & bacteria collecting areas

Engineered to install fast & requires no maintenance, keeping your facility safe



Deflector Post

DP-K-007-307

Materials: HDPE shell, iron core,
rubber damper, anchor kit



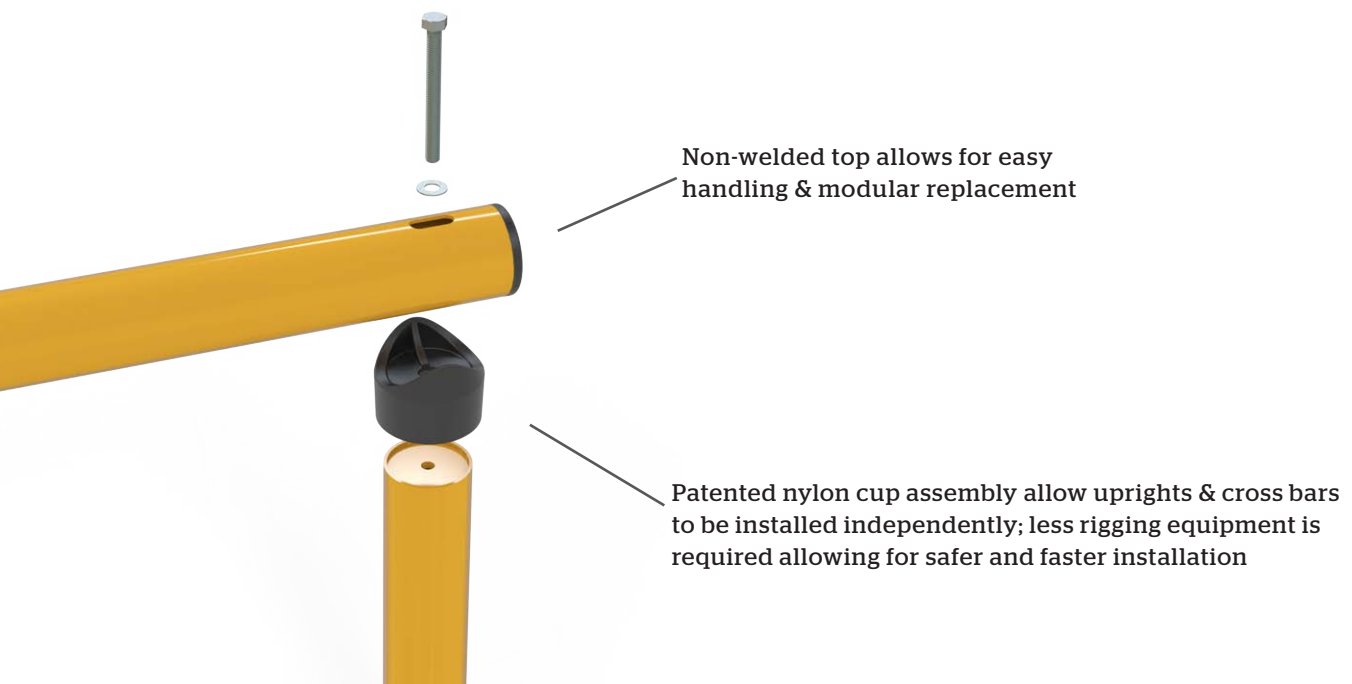
Guides your equipment around high traffic corners to avoid damage.

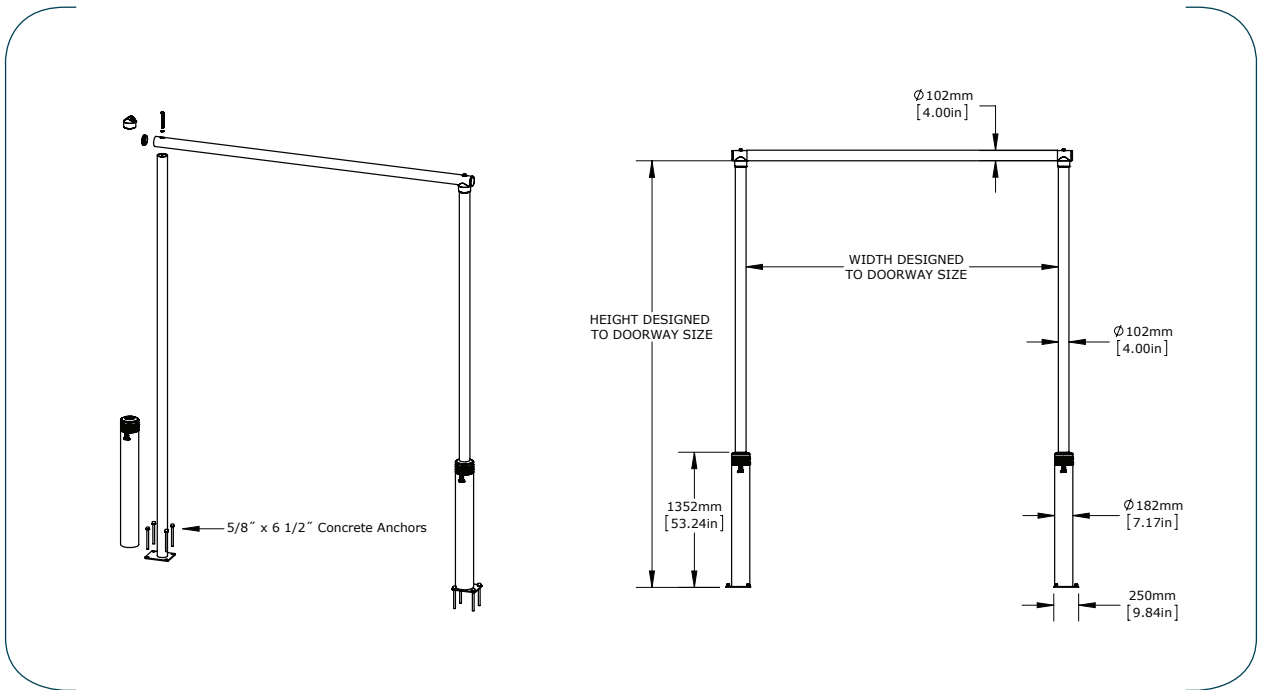
Goal Post

Door Frame Protection



The only goal post system with a replaceable crossbar



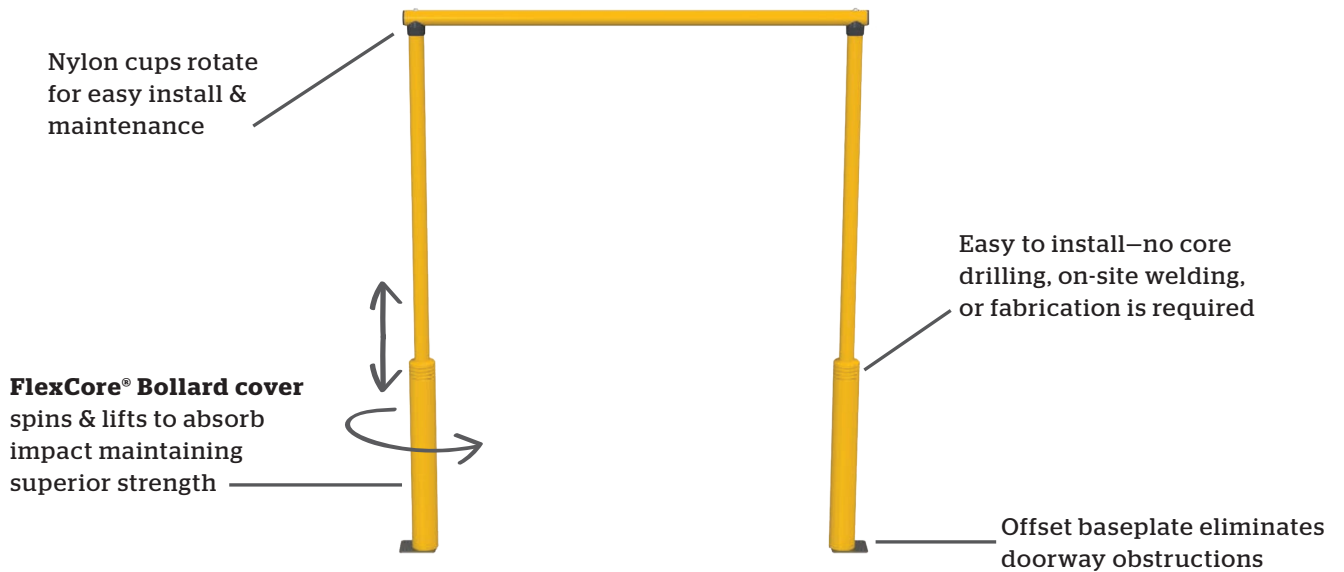


Goal Post Kits

Materials: HDPE shells, HDPE sleeves, steel tubing, nylon cups, anchor kit

How to order: Sizes vary. Width ranging from 8' (2.4 m) to 16' (4.9 m) and heights ranging from 8' (2.4 m) to 16' (4.9 m). Please call for more ordering information.

Call for quote or visit www.mccue.com/GoalPosts

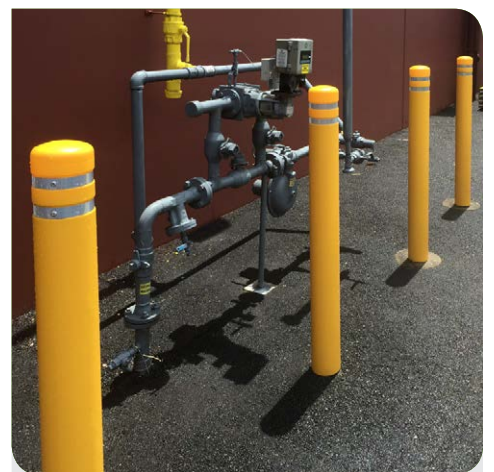


Post & Bollard Cover

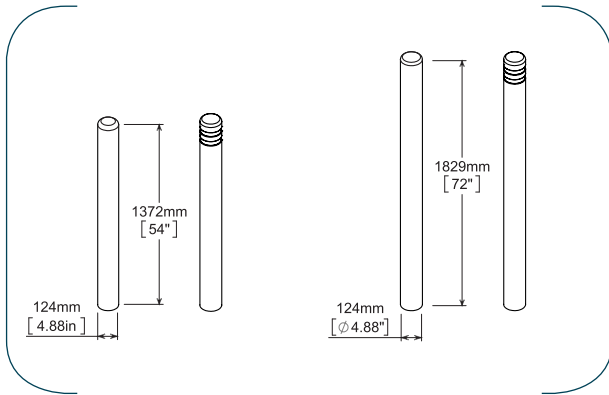
Plastic Post Cover



Cover up those unsightly posts and concrete bollards and eliminate constant repainting



Reflective tape option now available!

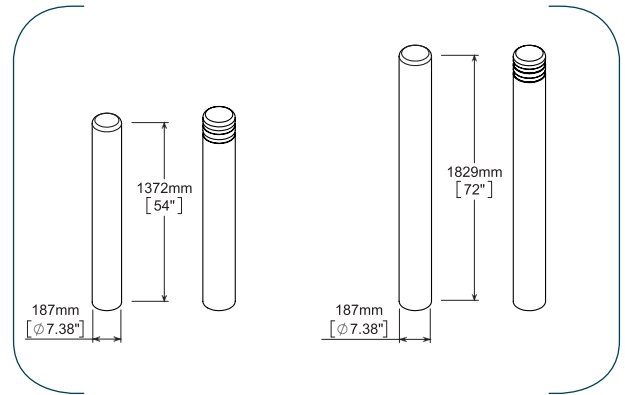


4" Post Covers

54" Tall Post Cover

For posts with 4.5" outer diameter
Foam tape included

Standard	Reflective Strips
CSPC-4-54	CSPC-4R-54



6" Post Covers

54" Tall Post Cover

For posts with 6.625" outer diameter
Foam tape included

Standard	Reflective Strips
CSPC-6-54	CSPC-6R-54

72" Tall Post Cover

For posts with 4.5" outer diameter
Foam tape included

Standard	Reflective Strips
CSPC-4-72	CSPC-4R-72

72" Tall Post Cover

For posts with 6.625" outer diameter
Foam tape included

Standard	Reflective Strips
CSPC-6-72	CSPC-6R-72

**EASY
INSTALLATION**



Pedestrian Barrier System

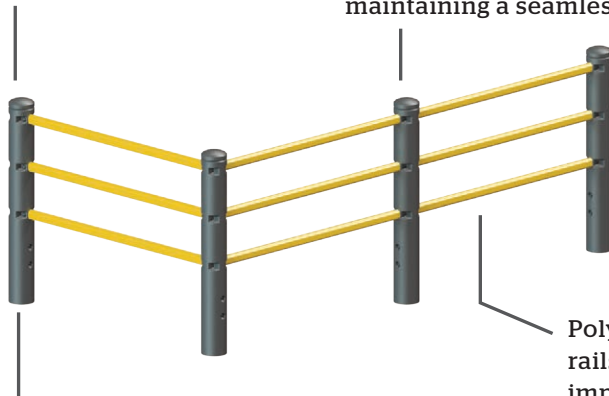
Pedestrian Safety Railing



Shock-absorbing, modular barrier system, protects your people and facility

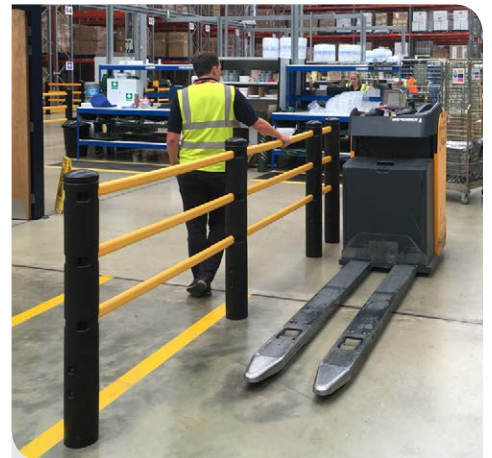
Shock-diffusing posts

Internal hardware eliminates catching & tripping points maintaining a seamless finish

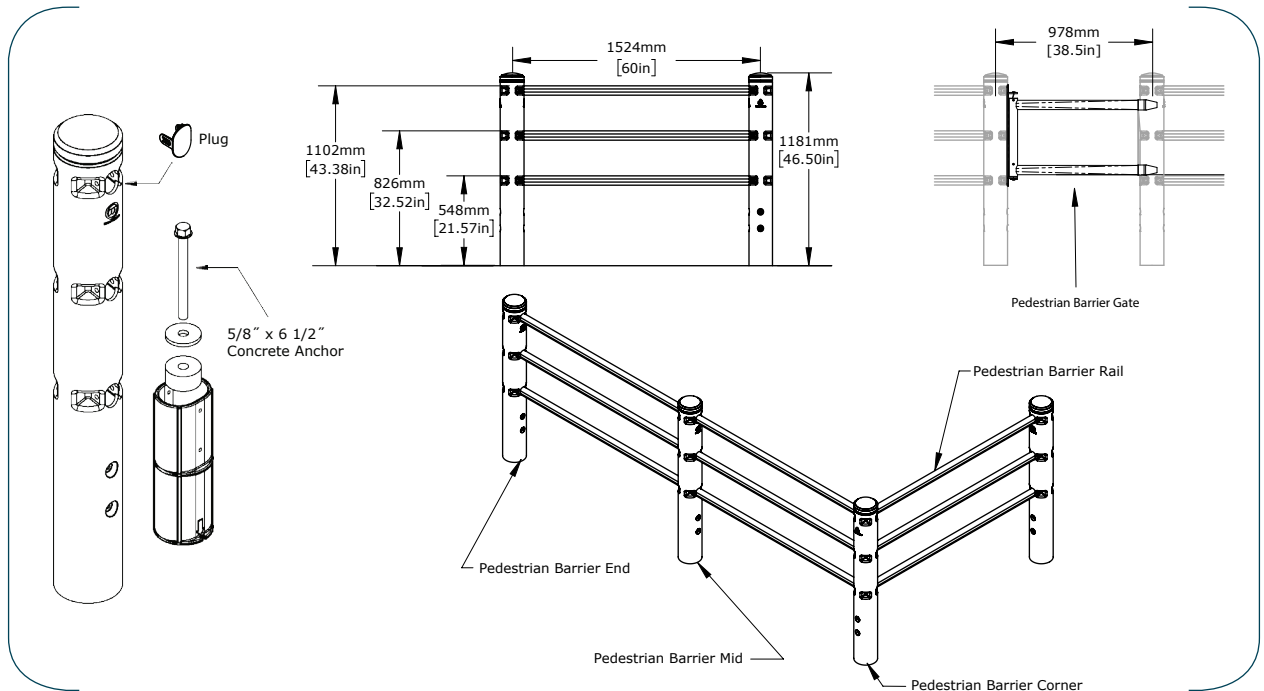


Ductile Iron core is paired with an industrial rubber damper that provides a shock-diffusing rigidity

Polyolefin rails absorb impact energy



Conforms to **OSHA Standard 1910.23** for guarding floor and wall openings with railing and to **IBC Standard 1012** regarding handrails, **including section 1012.3** concerning the ability to grasp handrails.



Pedestrian Posts

- PB-K-END-401 (End)
- PB-K-MID-401 (Middle)
- PB-K-CNR-401 (Corner)

Materials: HDPE shell Post, Ductile Iron core, rubber damper, anchor kit

Pedestrian Barrier Gate

PB-C-GTL-307

Materials: Polypropylene rails, nylon cam, steel hinge & latch. Mounting hardware included. Post not included.

Pedestrian Rail

PB-C-RAL-307

Material: Polyolefin, 58" (1.5 m) length

Plug

PB-C-PLG-401

Materials: Polypropylene Plug for post rail holes

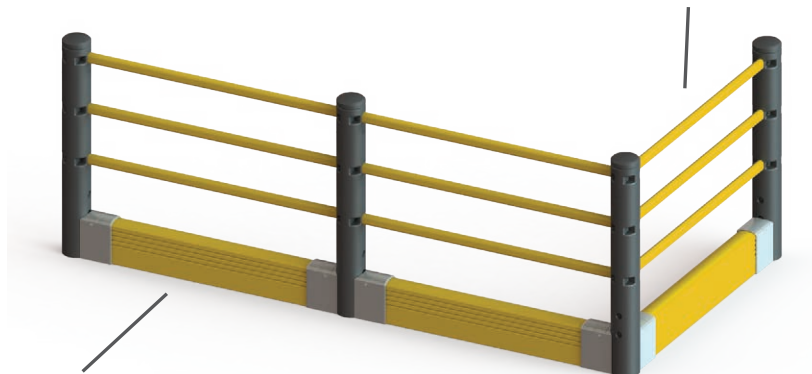
Pedestrian Barrier System with Crash Barrier

Pedestrian Safety Railing With Floor-Mounted Barrier System

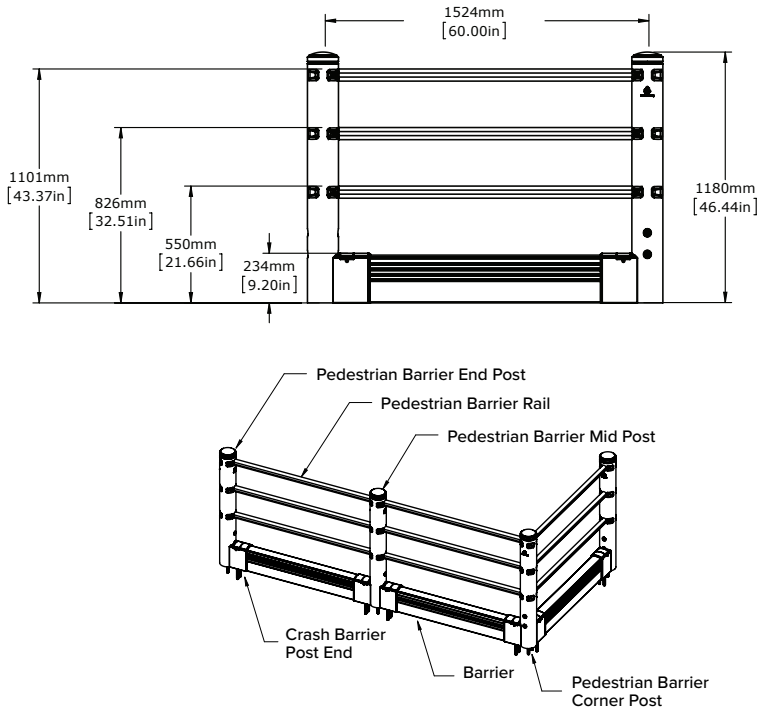


Pedestrian Barrier integrated with Crash Barrier System to provide an extra level of protection

Provides uncoupled installation so the Crash Barrier can be added to any Pedestrian Barrier run, allowing flexibility in designing your space



Increases employee safety by providing protection from low forks & pallets



Crash Barrier Post End

CB-K-PSE-307

Materials: Ductile Iron post end & cap, rubber damper, anchor kit

Barrier

CB-C-CMB-307

Material: Polyolefin
Cut to length per 60" assembly



Our fully modular system can incorporate Crash Barrier or a gate to help keep employees safe.

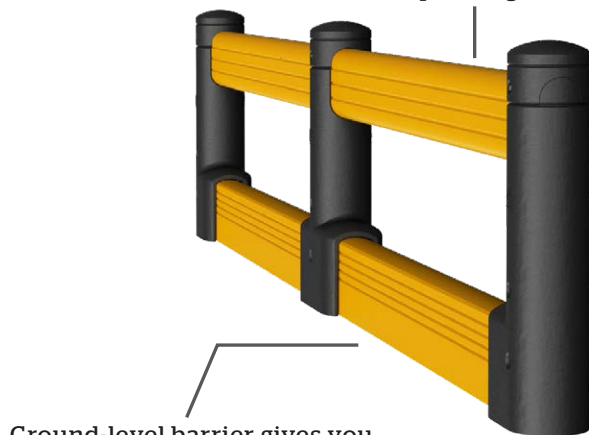
FlexCore GuardRail

Guardrail Safety Barrier



A flexible guardrail system with impact-absorbing uprights

Eliminate the need for scraping, painting and repainting

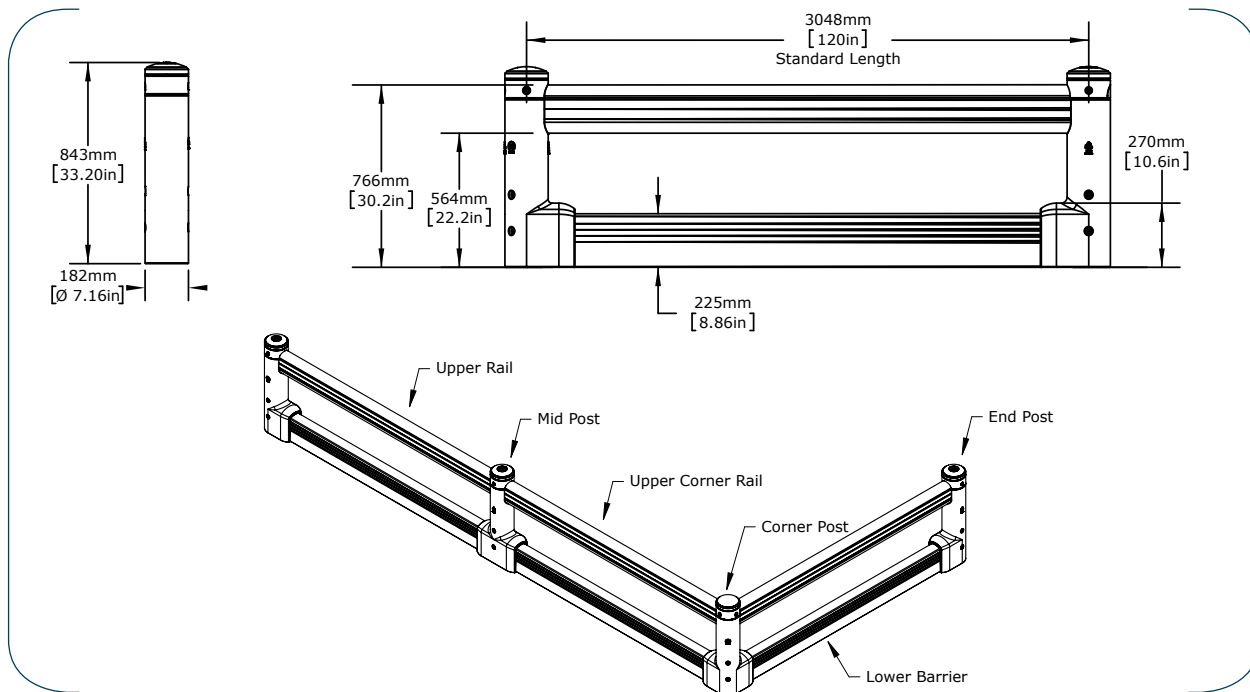


Ground-level barrier gives you complete protection

Modular design with hidden hardware



Our easily installed barrier system is designed for areas that need an extra level of protection



End Post

GR-K-END-401
Hardware included

10' Upper Rail

GR-C-RAL-307
Material: Polyolefin Copolymer

Mid Post

GR-K-MID-401 Hardware included

10' Upper Rail For Corner

GR-C-LCR-307
Material: Polyolefin Copolymer
Single end mitre cut for corner post

Corner Post

GR-K-CNR-401
Hardware included

10' Lower Barrier

GR-C-EXT-307
Material: Polyolefin Copolymer

Systems Protector

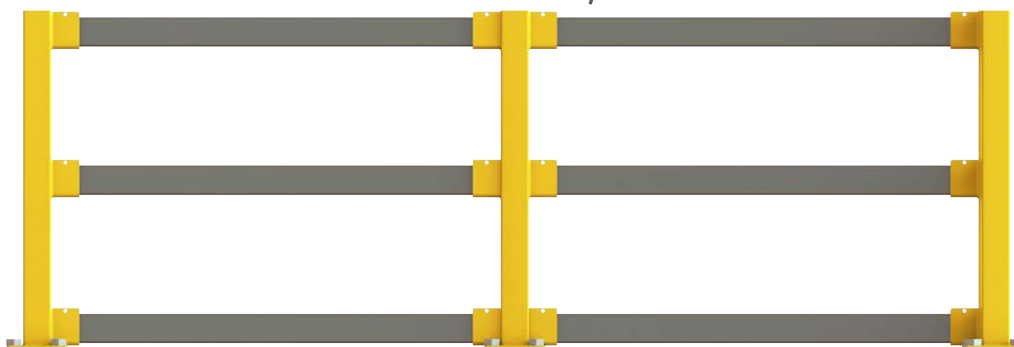
Protects Essential Systems While Maintaining Accessibility



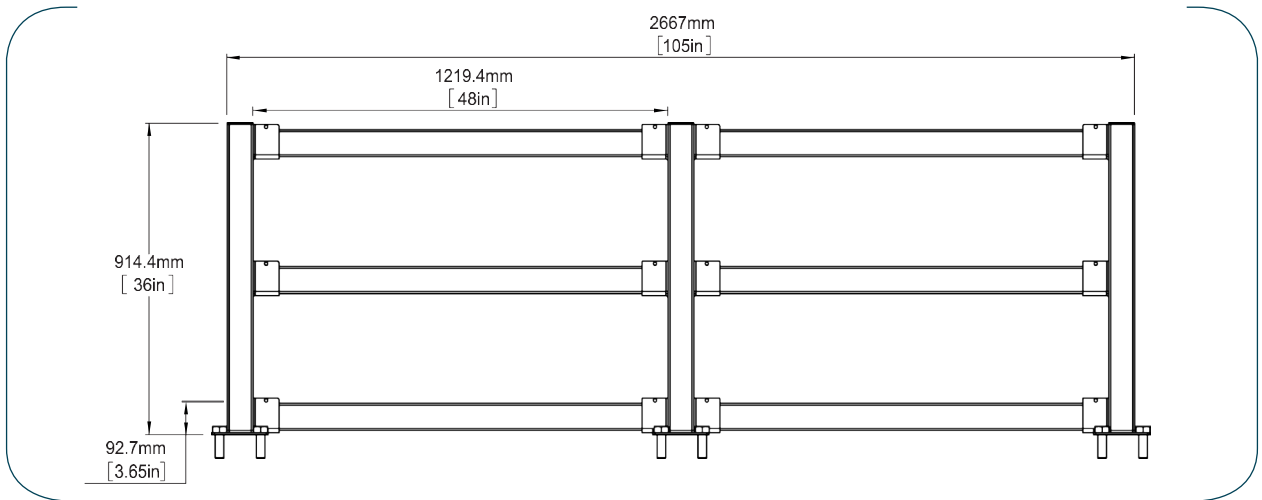
Provides reliable protection and accessibility for repairs and preventative maintenance

Heavy-duty steel construction with safety yellow powder coat finish is impact resistant to warehouse equipment

Steel cross members safely protect critical systems, yet easily removed to allow access for maintenance and service



Self-threading concrete anchors eliminate the need for messy adhesives or cement



36" End Uprights

CSSYP-36E-KIT

Hardware included—all uprights ship with 4 concrete anchors

Box Rail 8' Length

CSB-96

Zinc electroplated steel

36" Middle Uprights

CSSYP-36M-KIT

Hardware included—all uprights ship with 4 concrete anchors

5/8 inch Concrete Anchor

CS-HARDWARE-5830

3 inches long, self threading & with anti-rotation serrations to prevent back-out
Red Head 5/8" x 3" LDT

36" Corner Uprights

CSSYP-36C-KIT

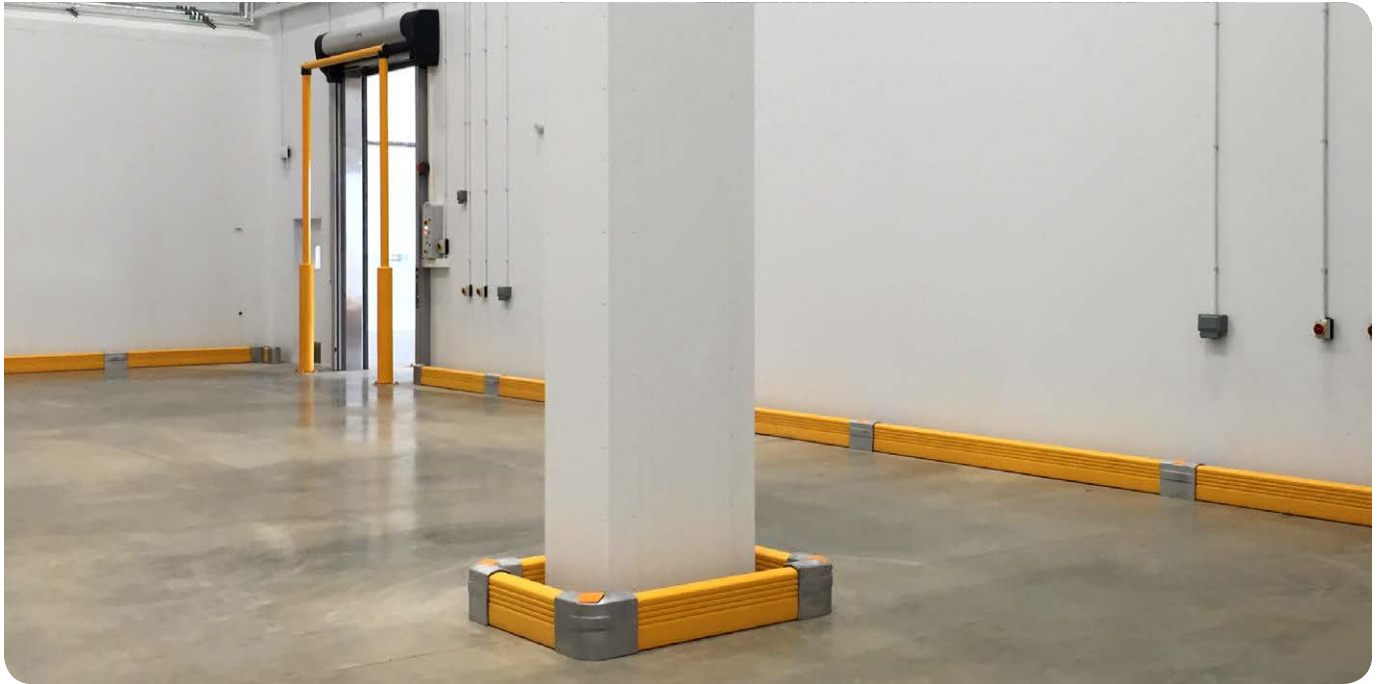
Hardware included all uprights ship with 4 concrete anchors =

24" & 48" Systems Protector Heights

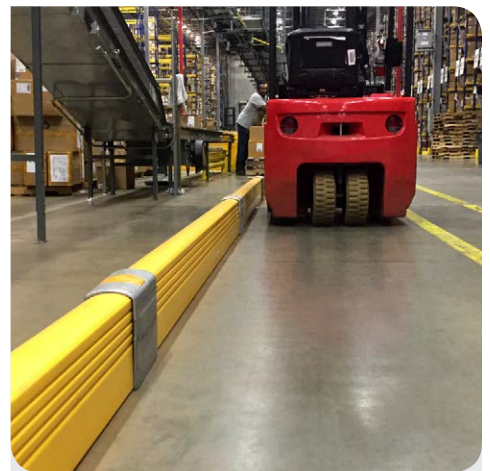
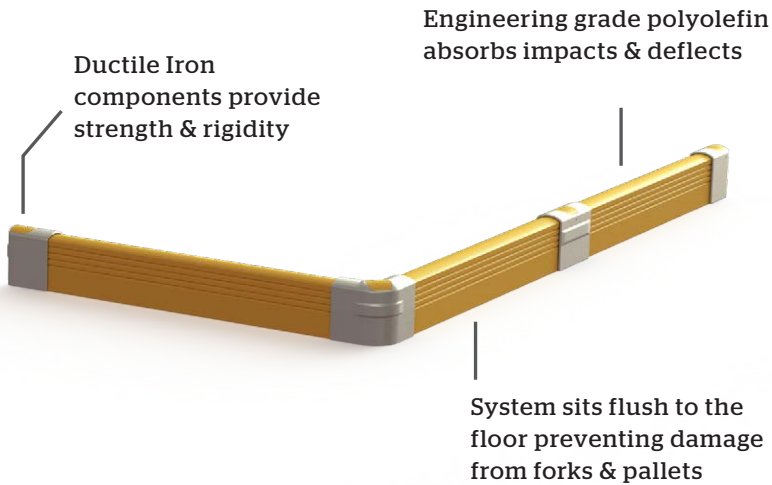
Call for pricing and details.

Crash Barrier System

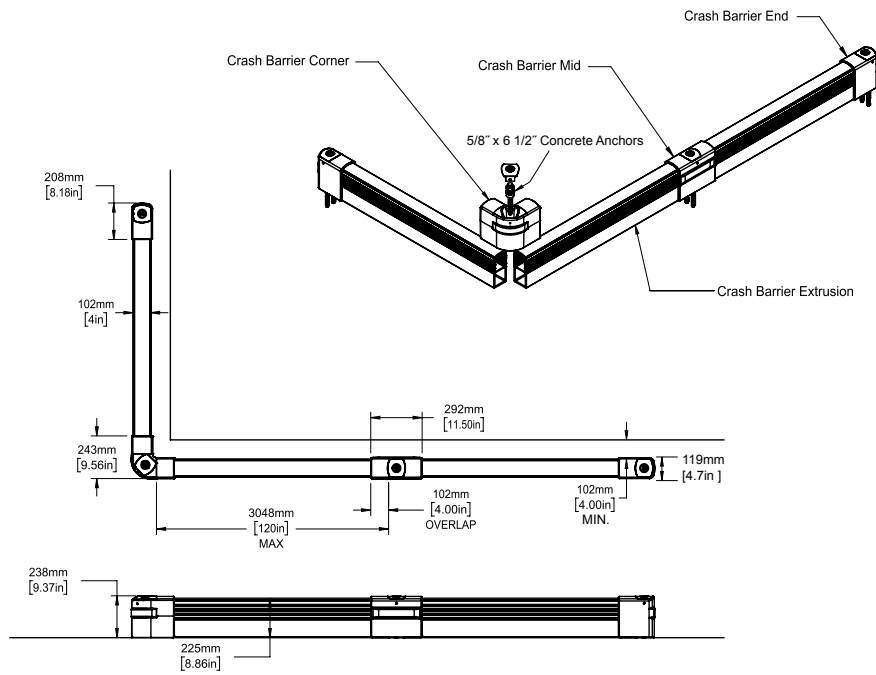
Floor-Mounted Barrier System



No more angle iron!
Protect your perimeter, racks, columns and define spaces safely



No need to repaint, the outer shell color is consistent throughout. Horizontal ribs mask abrasions.



Crash Barrier End

- CB-K-END-307 (End)
- CB-K-MID-307 (Middle)
- CB-K-CNR-307 (Corner)
- CB-K-PSE-307 (Post End)

Post Ends used with Pedestrian Barrier with Crash Barrier.

Materials: Ductile Iron, rubber damper, anchor kit

Barrier

- CB-C-EXT-307

Material: Polyolefin, 10' (3 m) length

Cap

- CB-C-CAP-307

Material: Polyolefin

Rack End Protector

High Visibility Rack End Protection

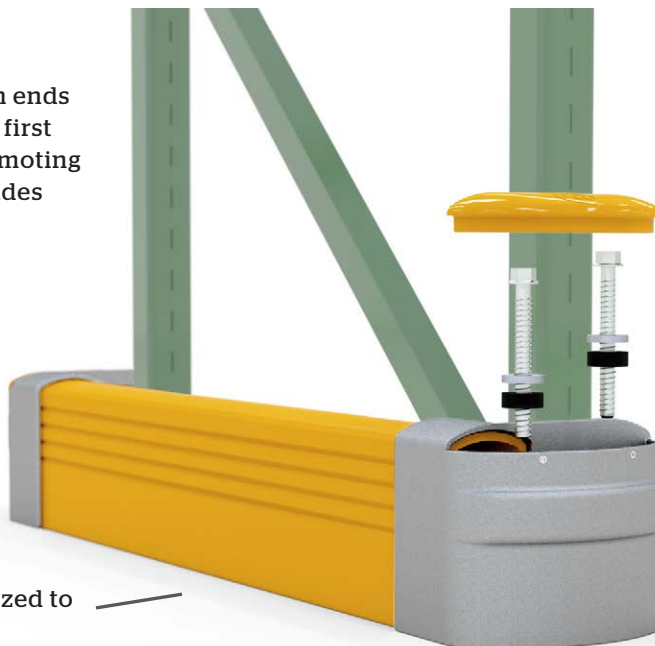


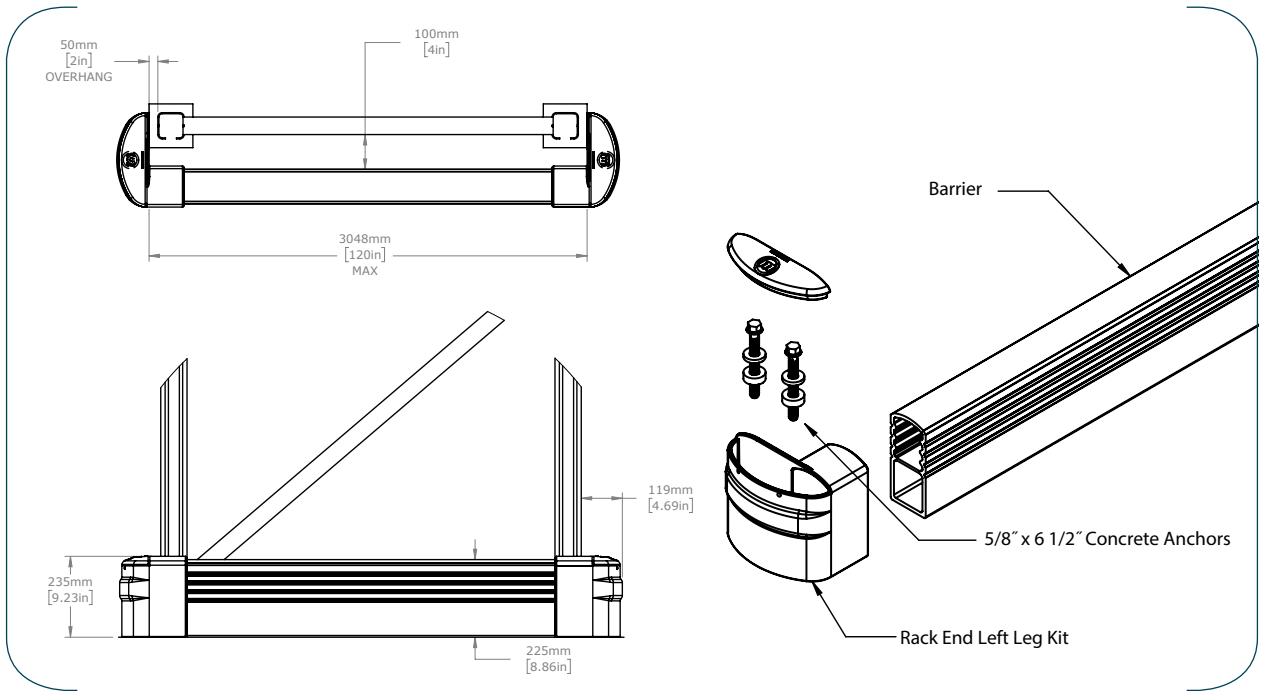
Absorbs impacts in the middle ... Deflects impacts on the ends

Half round Ductile Iron ends protect the vulnerable first racking upright by promoting glancing blows & provides maximum strength

Internal hardware provides a smooth surface, greater strength & longevity and prevents equipment snag points

Length can be customized to fit any racking bay





Rack End Protector Kit

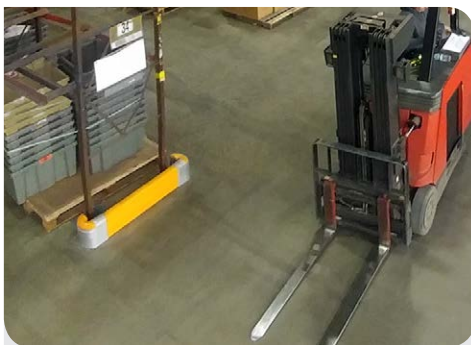
RE-K-LRC-307

Includes: 10' (3 m) length barrier, right leg & left leg

Rack End Left Leg

RE-K-LFT-307 (Left)
RE-K-RHT-307 (Right)

Materials: Ductile Iron leg & cap, Rack End, rubber damper, anchor kit



Shock absorbing barrier absorbs impacts perpendicular to the rack end.

Barrier

CB-C-EXT-307

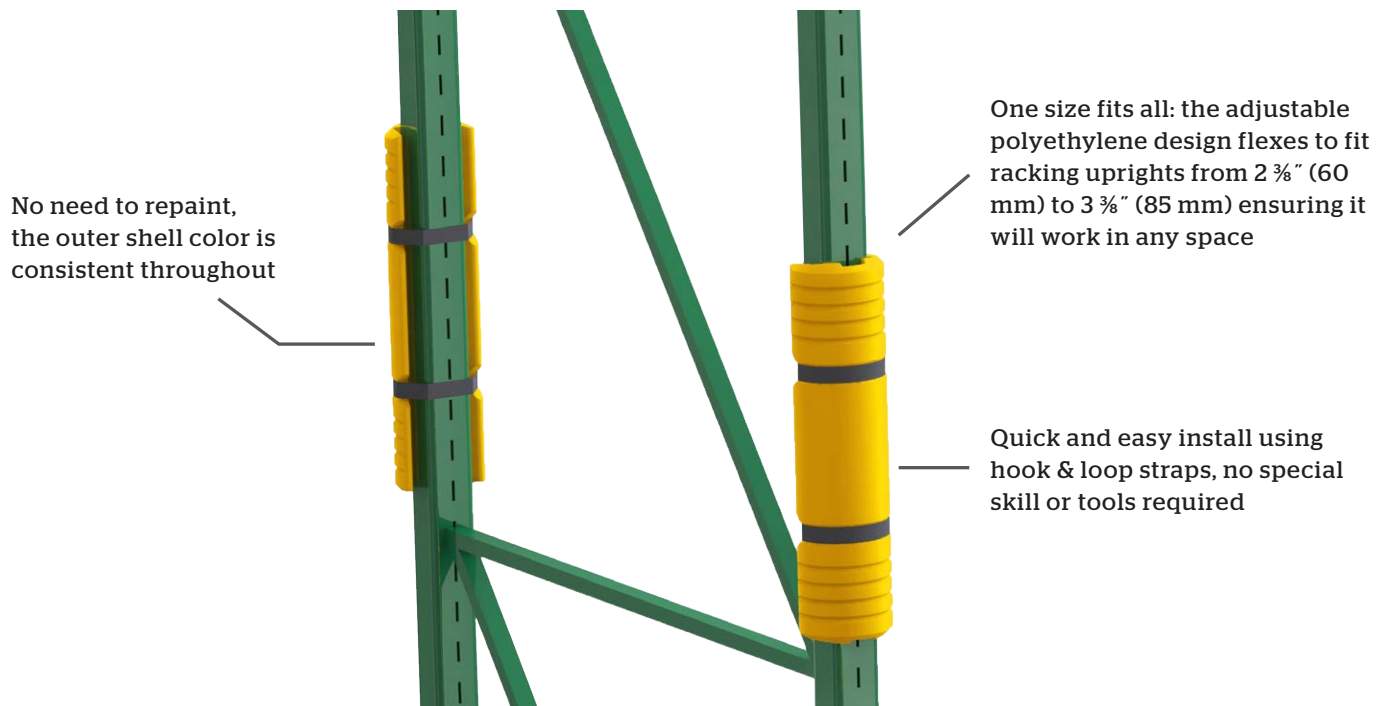
Material: Polyolefin, 10' (3 m) length

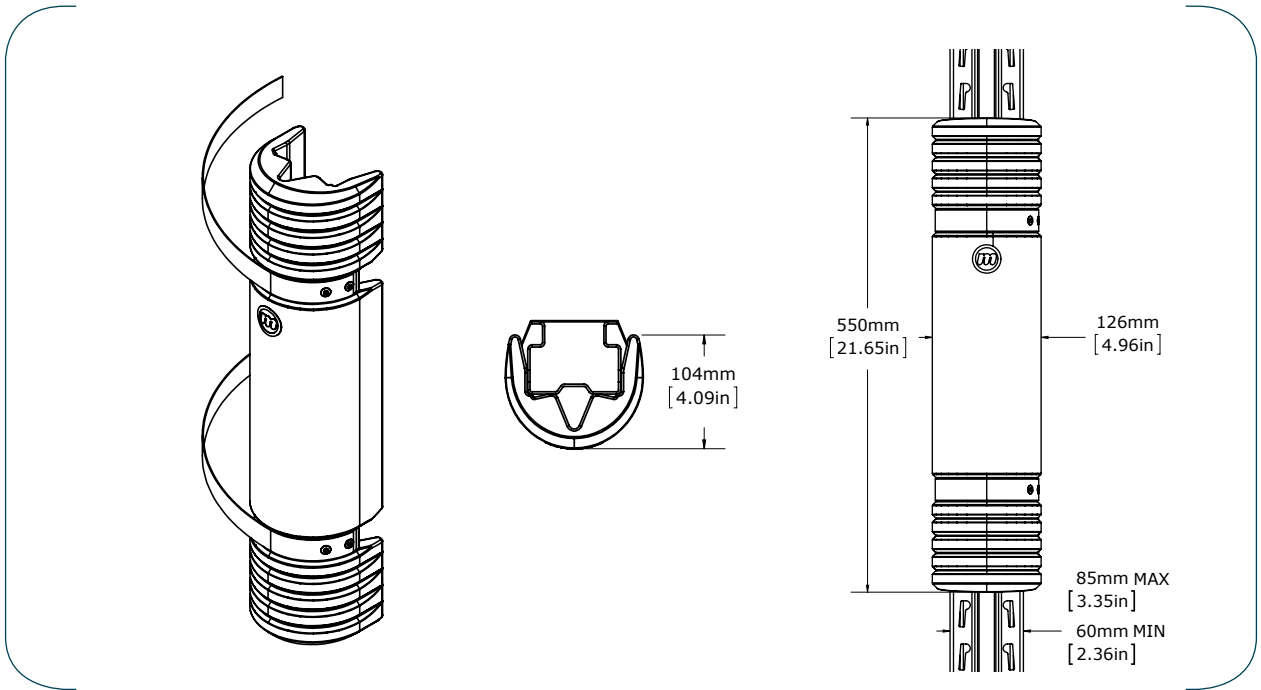
Rack Mounted Guard

Strap-On Impact Protection for Racking



Flexible solution to protect your racking and its contents





Rack Mounted Guard Kit

RM-K-335-307

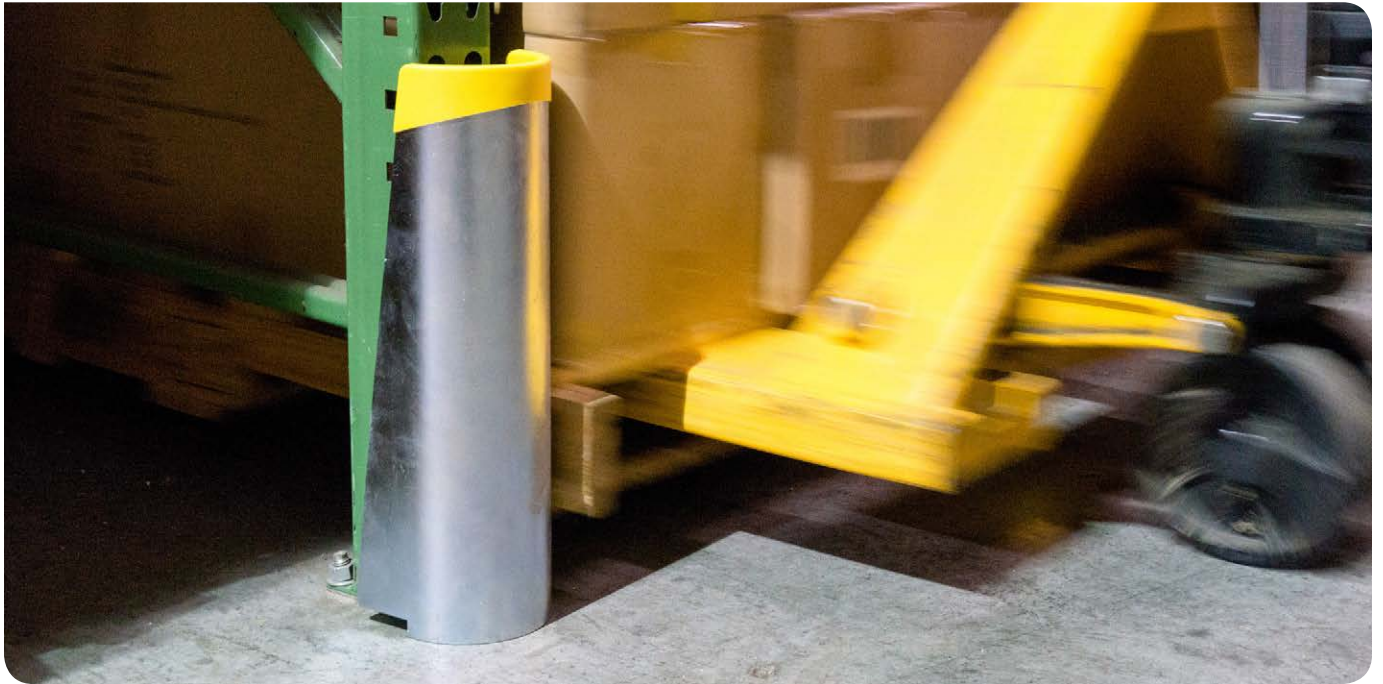
Materials: Polyethylene body, hook & loop straps



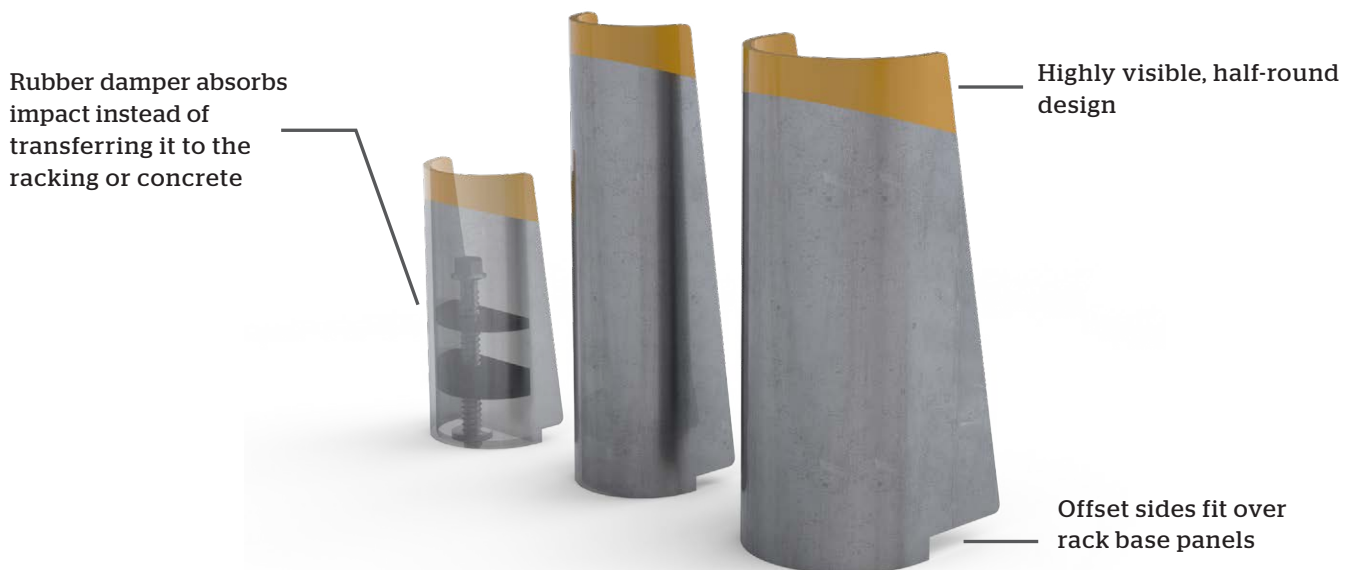
Rack Mounted Guard exceeded impact requirements of EN 15512.

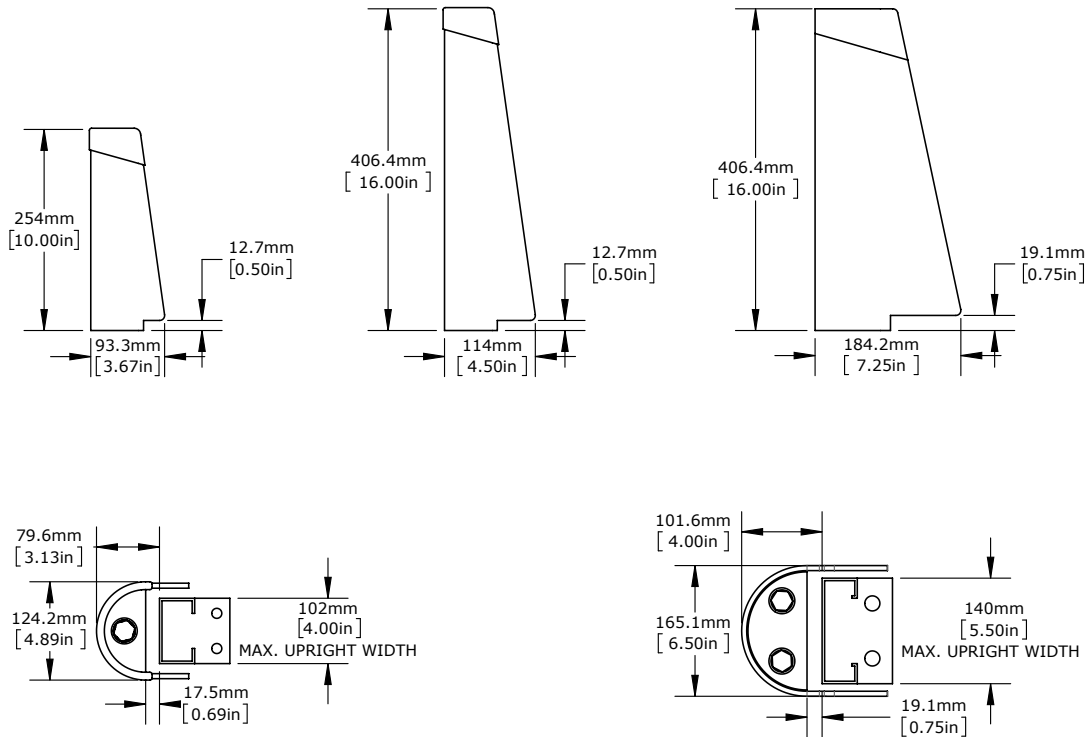
Shock-Absorbing Rack Guard

Pallet Rack Upright Protection



Heavy duty performance: Absorbs the impact energy so your racks and concrete don't





10"/250mm Rack Guard

CSRG-SHOCK-10-KIT

Materials: Zinc plated steel
Shock-Absorbing Rack Guard, rubber damper, anchor kit

16"/400mm Rack Guard

CSRG-SHOCK-16-KIT

Materials: Zinc plated steel
Shock-Absorbing Rack Guard, rubber damper, anchor kit



Zinc finish will not scratch off or rust leaving it looking like new.

16"/400mm Rack Guard XL

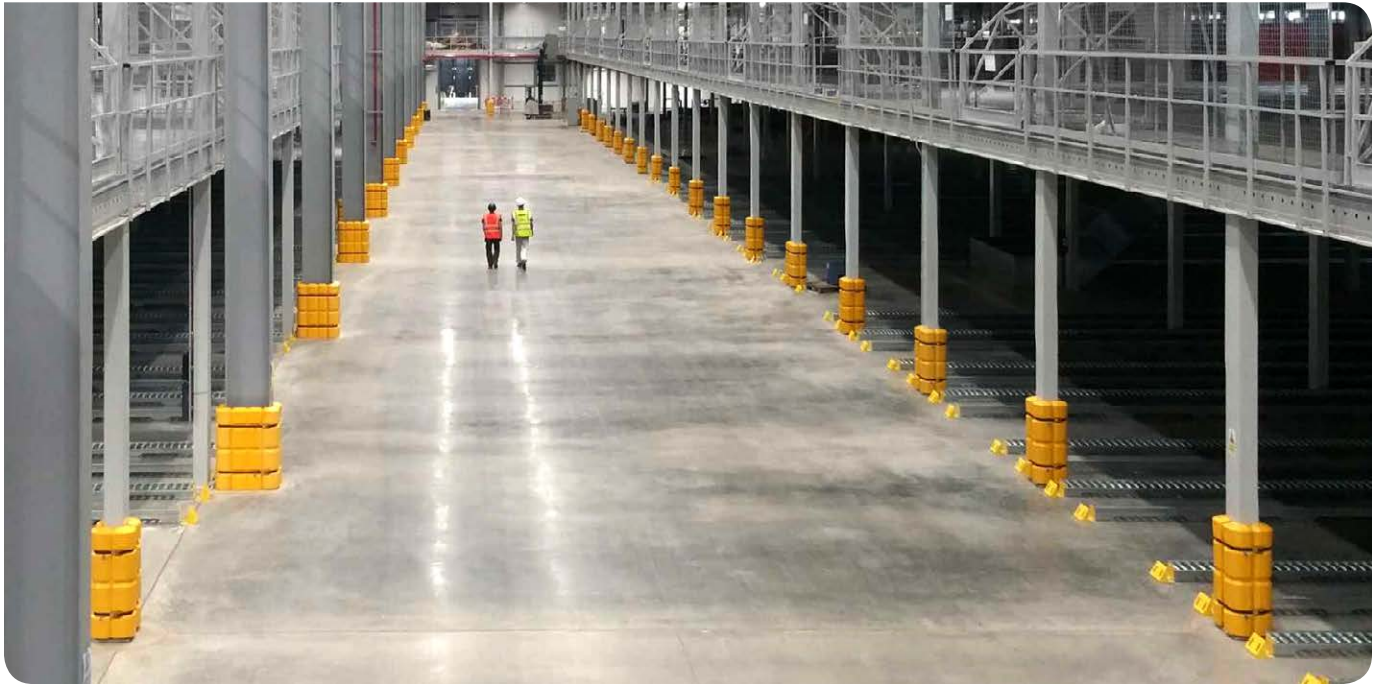
For racks wider than 4"

CSRG-SHOCK-16XL-KIT

Materials: Zinc plated steel
Shock-Absorbing Rack Guard, rubber damper, anchor kit

Column Guard

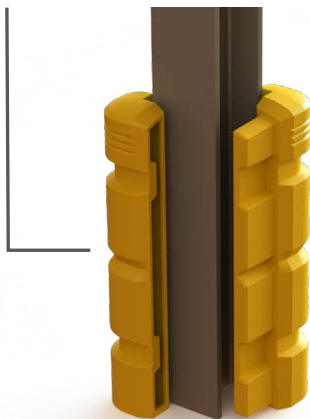
Adjustable Column Barrier

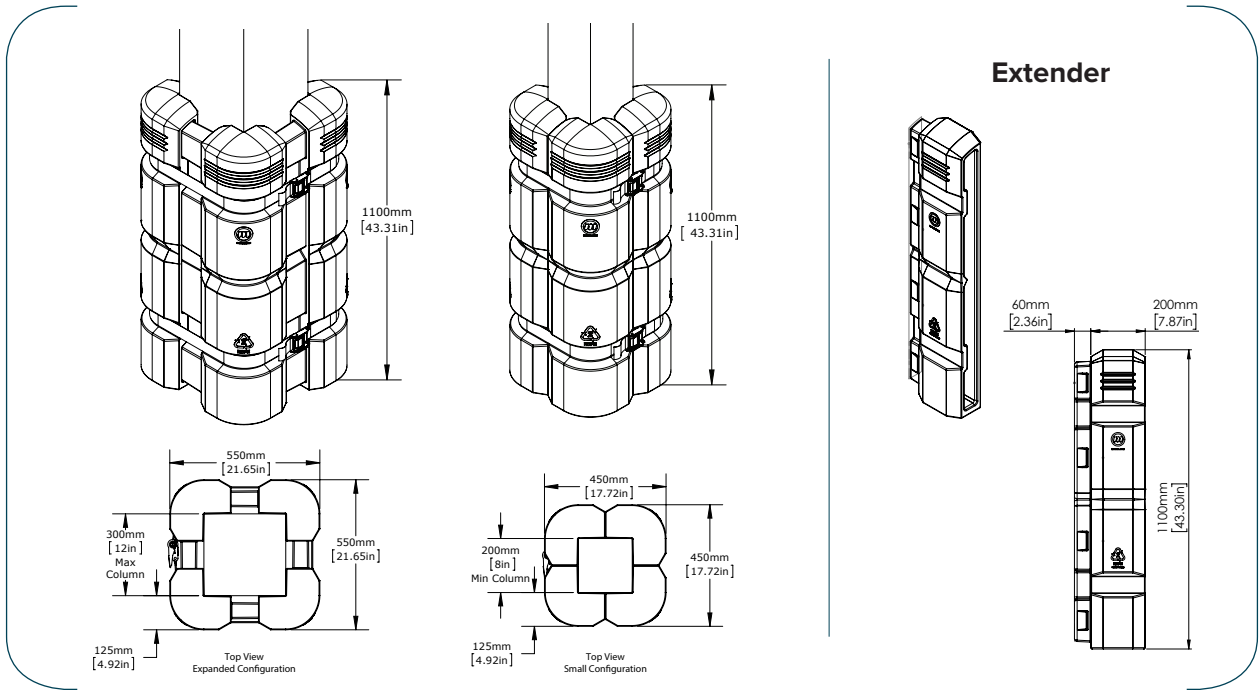


Expandable assembly protects columns of different sizes from 8" (200 mm) to 12" (300 mm)

Interlocking design provides superior impact resistance with 4 polyethylene walls vs. the conventional 2 walls for maximum strength

Easy to install straps—no special skill or tools required





Column Guard

CG-K-812-307

Materials: HDPE shell Column Guard, 2 straps

Extender

CG-C-008 -307

Materials: HDPE shell Extending Piece

Foam Spacers available. Call for pricing.



Shock-absorbing assembly installs securely, cushions columns, equipment & drivers during impacts.



To accommodate over-sized columns, we have extenders and foam spacers available

BumperSign

Flexible, Surface-Mounted Sign Post



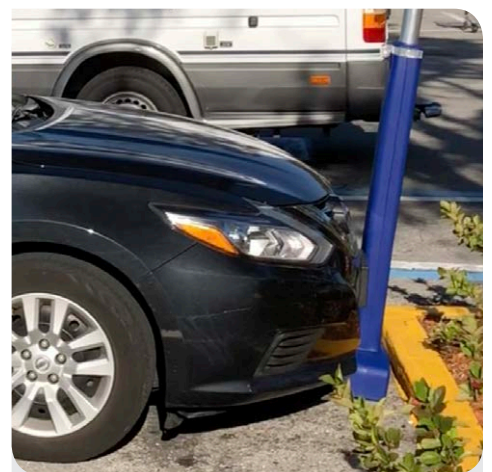
Finally a sign engineered for strength, safety and style

Paint-free, versatile sign for a consistent, clean appearance

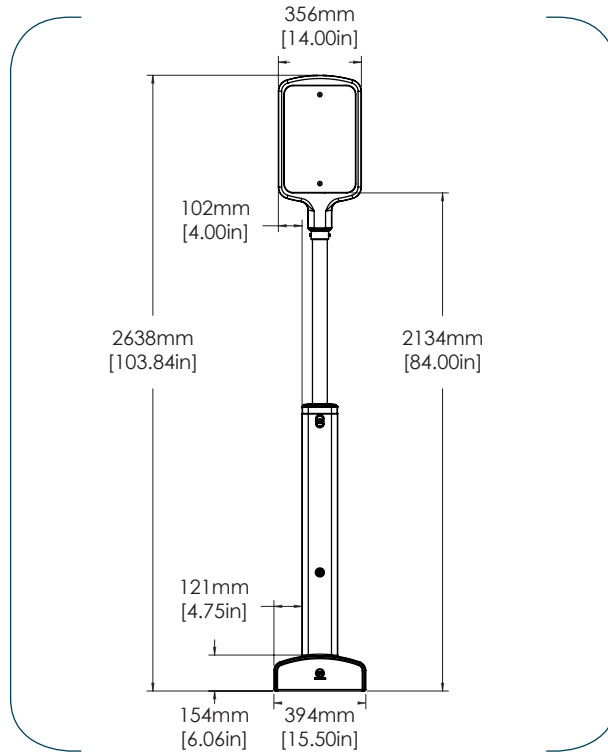
Flexes on impact

Meets ADA requirements in most regions*

Quick & easy installation in concrete or asphalt



Absorbs impact energy and deflects away from vehicles



BumperSign Kit

BS-V2-COLOR

Hardware included.
Placard not included.



Standard Accessible Parking Placard

15AB034



Van Accessible Parking Placard

15AB035



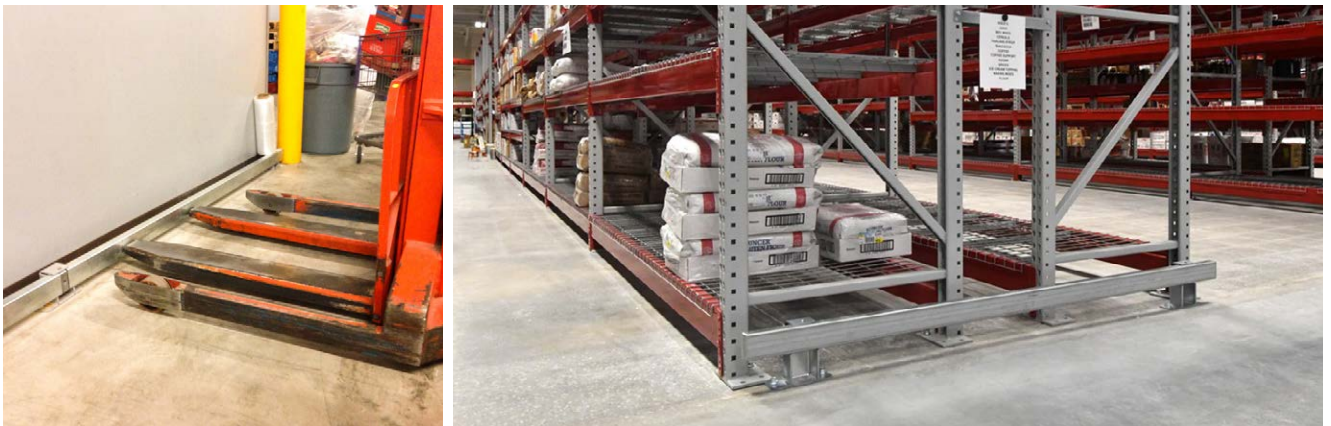
Custom Placard Options

Call for pricing and details.

McCue's extensive product line also includes...



Wall Mounted Bumper | Many different profiles available



Box Rail | Modular design for any application



Loading Door Protector | Protects overhead door when gate is down & the track when gate is up

TEMCO., LTD.

Distributor of Thailand

8th Floor, Thaniya Bldg., 62 Silom Rd.,

Suriyawong, Bangrak, Bangkok 10500

Tel +66 (0) 2236 7339, +66 (0) 2236 7348

Fax +66 (0) 2236 6253



www.temco.co.th